

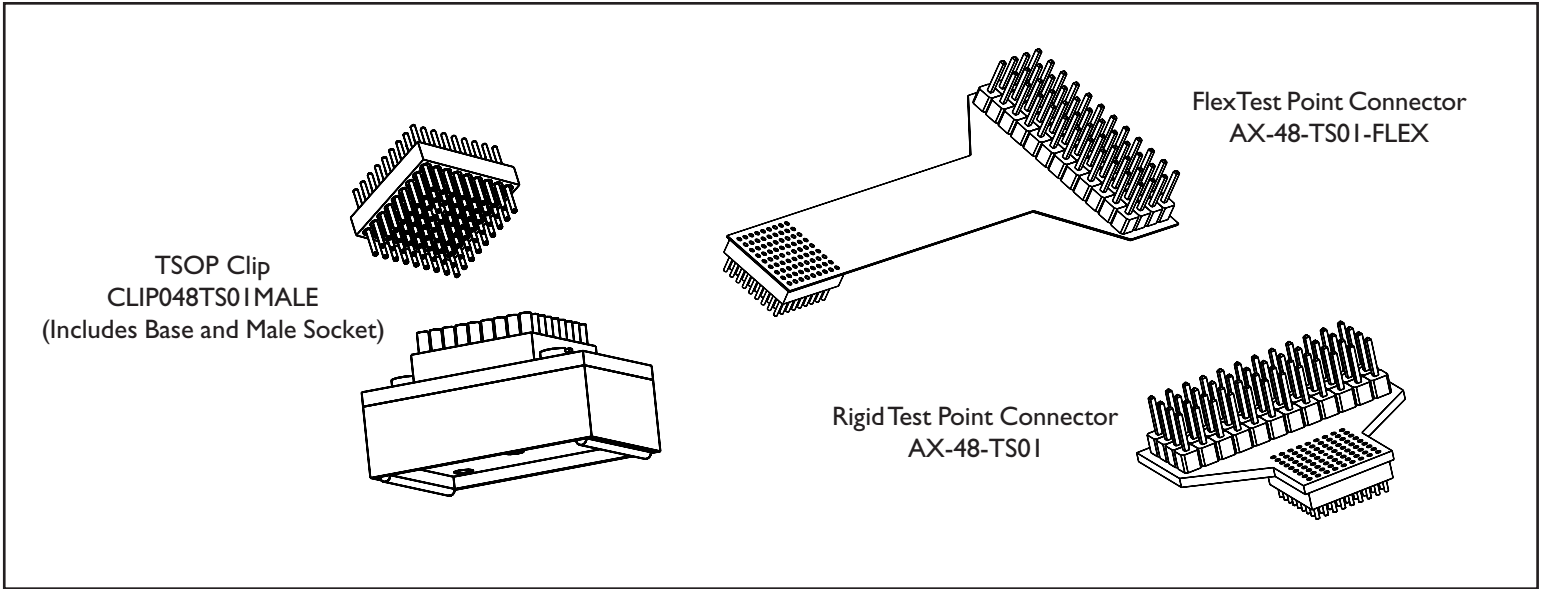
CLIP-048-TS01-FLEX

Introducing the first clip designed especially for TSOP packages

- ◆ Minimum clearance of .030" (0.76mm) for side-by-side connection
- ◆ Uses directionally conductive elastomeric connectors instead of pins
- ◆ Low profile offers reliable connection
- ◆ Infinite number of probing applications
- ◆ Supports 28- to 56-pin TSOP packages



Introducing the First TSOP Clip Solution



DESCRIPTION

This new test clip is specifically designed for probing Thin Small Outline Packages (TSOP). It is the first clip-on device created for TSOPs. Its low-profile design and use of directionally conductive elastomeric connectors make it ideal for probing units up to .030" apart with a lead pitch of 0.50mm-0.55mm. Best of all—there is an infinite amount of probing applications. A male-to-male socket comes standard with every clip. You can choose an alternate method of lead connection such as a flex test point connector or rigid test point connector. If you have multiple probing needs, all connector options are available in a kit.

OPERATING CHARACTERISTICS

Resistance

- ◆ Elastomer Base Alone: 250 milliohms
- ◆ Flex Test Point Connector: 150 milliohms
- ◆ Rigid Test Point Connector: 350 milliohms

HOW TO ORDER

1. Select pin count
2. Determine lead pitch and body size
3. Verify the correct footprint (You can use ET's catalog footprint section).
4. Call ET for part number.

MECHANICAL CHARACTERISTICS

- ◆ Body: Vespel®
- ◆ Board: Epoxy Glass Laminate (FR-4); Flex Board KAPTON with HASL finish
- ◆ Pins: 10µ" Gold over 100µ" Nickel
- ◆ Posts: 10µ" Gold over 50µ" Nickel
- ◆ Core: 50 Shore A non-conducting silicone rubber
- ◆ Film: .001 [0.03] polyimide with 1/2 oz. [14.7g] copper circuitry plated with .000020 [0.00050] gold over .000050 [0.00130] nickel
- ◆ Flex: Base Material Polyimide 1 mil.

Ordering Information Example		Part #	Lead Pitch	Body Size (Length)	ET Package Footprint Code
TSOP Footprint	Test Point Connector (TPC) options				
Pin Count					
Product Code	CLIP-048-TS01 (-MALE -FLEX, -RIGID, -KIT)				
TSOP Clip (includes base and male socket)					
TSOP Clip and Flex TPC					
TSOP Clip and Rigid TPC					
TSOP Clip and all TPC options					
		CLIP-028-TS05-(MALE, FLEX, RIGID, or KIT)	.55mm	11.8mm	28-TS05
		CLIP-032-TS01-(MALE, FLEX, RIGID, or KIT)	.5mm	18.4mm	32-TS01
		CLIP-032-TS04-(MALE, FLEX, RIGID, or KIT)	.5mm	12.4mm	32-TS04
		CLIP-040-TS01-(MALE, FLEX, RIGID, or KIT)	.5mm	18.4mm	40-TS01
		CLIP-040-TS04-(MALE, FLEX, RIGID, or KIT)	.5mm	12.4mm	40-TS04
		CLIP-048-TS01-(MALE, FLEX, RIGID, or KIT)	.5mm	18.4mm	48-TS01
		CLIP-048-TS02-(MALE, FLEX, RIGID, or KIT)	.5mm	16.4mm	48-TS02
		CLIP-056-TS01-(MALE, FLEX, RIGID, or KIT)	.5mm	18.4mm	56-TS01

All TPCs and additional elastomers are available separately. Call ET for part number.

If you don't find the package you're looking for, call us. New designs are being added to our product line every day.



EMULATION TECHNOLOGY, INC.

1.800.ADAPTER

2344 WALSH AVENUE ♦ BLDG. F

SANTA CLARA, CA 95051

TEL: 408.982.0660 ♦ FAX: 408.982.0664 ♦ E-MAIL: et@gmail.emulation.com

www.emulation.com